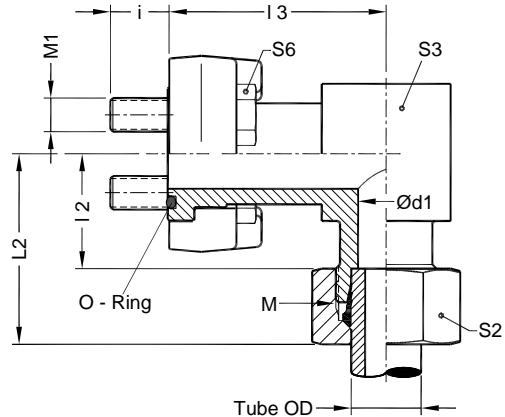
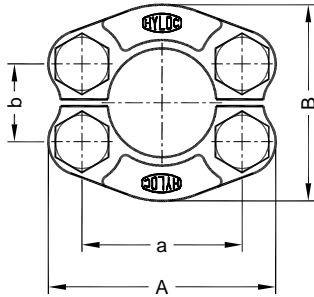


Dimensions in mm

DIN Fittings

Tube connections as per ISO 8434
 Mounting Interface conforms to ISO 6162
 Seal Material : NBR 90 Shore



Standard Pressure Series (Code 61)

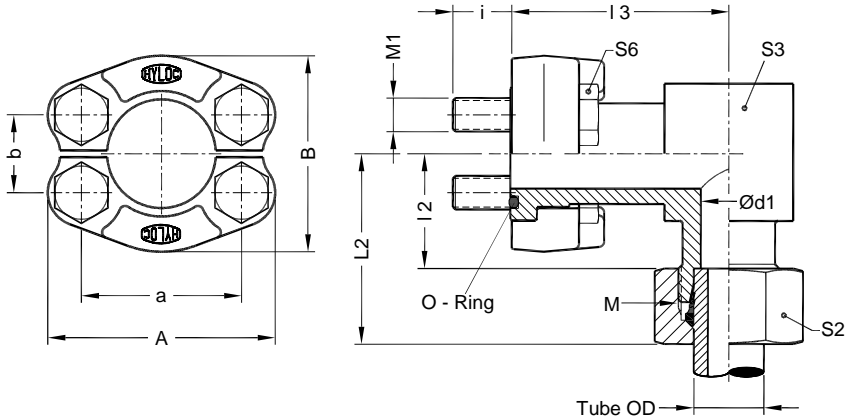
Part No.	Nom size	Tube o.d.	A	a	B	b	M	S6	i	Split Flange	O - Ring ID x CSD	M1 Hex. bolts (10.9)
WFS3215PL	1/2	15	54	38.1	46	17.5	M22x1.5	13	12	SFS04	19.0 x 3.55	M8 x 25
WFS3216PS		16					M24x1.5					
WFS3318PL	3/4	18	65	47.6	52	22.3	M26x1.5	17	16	SFS06	25.0 x 3.55	M10 x 30
WFS3322PL		22					M30x2.0					
WFS3320PS		20					M30x2.0					
WFS3325PS		25					M36x2.0					
WFS3428PL	1	28	70	52.4	59	26.2	M36x2.0	17	14	SFS08	32.5 x 3.55	M10 x 30
WFS3430PS		30					M42x2.0					
WFS3535PL	1 1/4	35	79	58.7	73	30.2	M45x2.0	17	16	SFS10	37.5 x 3.55	M10 x 30
WFS3525PS		25					M36x2.0					
WFS3530PS		30					M42x2.0					
WFS3538PS		38					M52x2.0					
WFS3642PL	1 1/2	42	94	69.9	83	35.7	M52x2.0	19	19	SFS12	47.5 x 3.55	M12 x 35
WFS3638PS		38					M52x2.0					
Part No.	Nom size	Tube o.d.	PB bar	Ø d1	L 2	L 3	L 2 *	S2	S3			
WFS3215PL	1/2	15	315	12	29.0	45.5	45.0	27	27			
WFS3216PS		16	350	12	29.5	45.5	48.5	30	27			
WFS3318PL	3/4	18	315	15	31.5	52.5	48.5	32	27			
WFS3322PL		22	160	19	33.5	54.0	50.5	36	30			
WFS3320PS		20	350	16	32.5	54.0	55.0	36	30			
WFS3325PS		25	350	17	33.0	57.0	58.0	46	36			
WFS3428PL	1	28	160	24	36.5	57.0	54.5	41	36			
WFS3430PS		30	350	24	36.5	62.0	64.5	50	46			
WFS3535PL	1 1/4	35	160	30	46.5	69.0	69.5	50	46			
WFS3525PS		25	280	20	43.0	69.0	68.0	46	46			
WFS3530PS		30	280	25	43.5	69.0	71.5	50	46			
WFS3538PS		38	280	28	43.0	73.5	74.5	60	55			
WFS3642PL	1 1/2	42	160	36	47.0	73.5	70.5	60	55			
WFS3638PS		38	210	32	48.0	73.5	79.5	60	55			

* Dimensions given are approx figures with tightened nut.

Dimensions in mm

DIN Fittings

Tube connections as per ISO 8434
 Mounting Interface conforms to ISO 6162
 Seal Material : NBR 90 Shore



High Pressure Series (Code 62)

Part No.	Nom size	Tube o.d.	A	a	B	b	M	S6	i	Split Flange	O - Ring ID x CSD	M1 Hex. bolts (10.9)
WFS6216PS	1/2	16	56	40.5	48	18.2	M24 x 1.5	13	14	SFH04	19.0 x 3.55	M8 x 30
WFS6316PS	3/4	16	71	50.8	60	23.8	M24 x 1.5	17	16	SFH06	25.0 x 3.55	M10 x 35
WFS6320PS		20					M30 x 2.0					
WFS6325PS		25					M36 x 2.0					
WFS6425PS	1	25	81	57.2	70	27.8	M36 x 2.0	19	21	SFH08	32.5 x 3.55	M12 x 45
WFS6430PS		30					M42 x 2.0					
WFS6530PS	1 1/4	30	95	66.6	78	31.8	M42 x 2.0	19	18	SFH10	37.5 x 3.55	M12 x 45
WFS6538PS		38					M52 x 2.0					
WFS6638PS	1 1/2	38	113	79.3	95	36.5	M52 x 2.0	24	25	SFH12	47.5 x 3.55	M16 x 55
Part No.	Nom size	Tube o.d.	PB bar	Ø d1	L 2	L 3	L 2 *	S 2	S 3			
WFS6216PS	1/2	16	400	12	29.5	50.5	45.5	30	27			
WFS6316PS	3/4	16	400	12	36.5	62.0	53.5	30	36			
WFS6320PS		20	400	16	35.5	62.0	52.5	36	36			
WFS6325PS		25	400	17	36.0	62.0	53.0	46	36			
WFS6425PS	1	25	400	20	41.0	78.0	59.0	46	46			
WFS6430PS		30	400	24	41.5	78.0	69.5	50	46			
WFS6530PS	1 1/4	30	400	25	44.5	85.0	67.5	50	46			
WFS6538PS		38	315	30	45.0	89.5	70.0	60	55			
WFS6638PS	1 1/2	38	315	30	56.0	95.5	79.5	60	55			

* Dimensions given are approx figures with tightened nut.