



The right connection
The right environment

Multi station bar manifold for mounting
four port valves having interface conforming
to ISO 4401-05-04
BM-CETOP-05-XX-2.0

Ref. No. H14742
Release: Jan 2021

ENGINEERING - 1 of 2

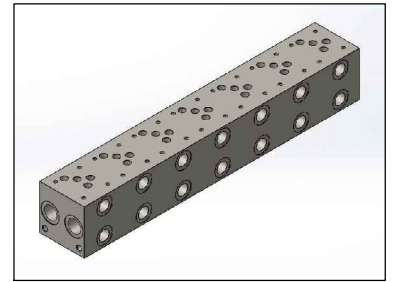
Description

These bar manifolds are designed to connect valves having interface conforming to ISO 4401-05-04

Valves can be assembled parallel to each other with minimum space.

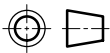
These manifold connects all 'P' ports of the interface to a common passage which is sized to provide minimum pressure drop.

The maximum number of interfaces available on manifold bar are 07.

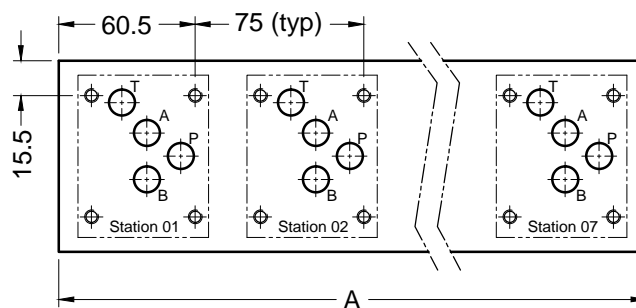
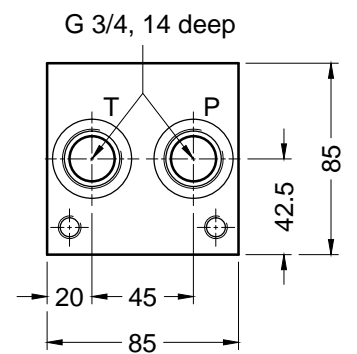
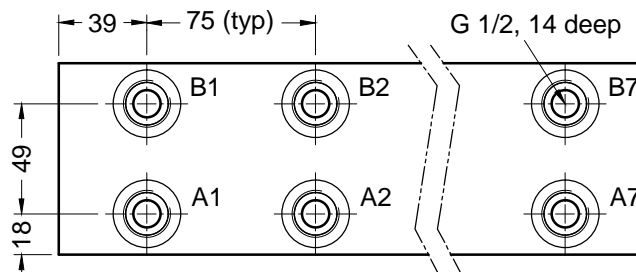
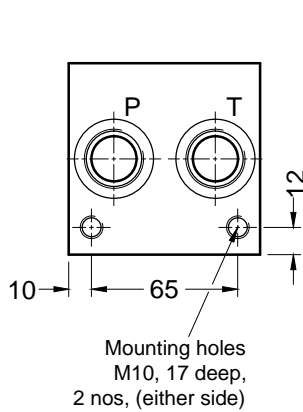
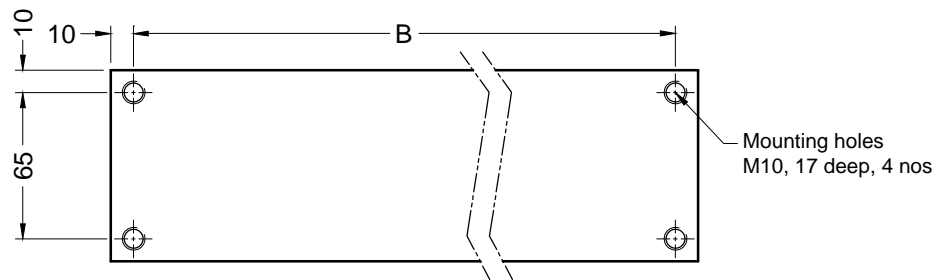
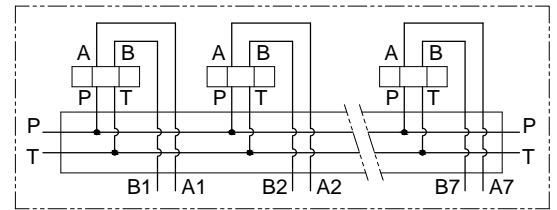


Unit Dimensions

Dimensions in mm.



Hydraulic Symbol



Material : Carbon Steel (Max. Working pressure - 315 bar)

No. of Stations	01	02	03	04	05	06	07
Part number	BM-CETOP-05-01	BM-CETOP-05-02	BM-CETOP-05-03	BM-CETOP-05-04	BM-CETOP-05-05	BM-CETOP-05-06	BM-CETOP-05-07
A	75	150	225	300	375	450	525
B	55	130	205	280	355	430	505

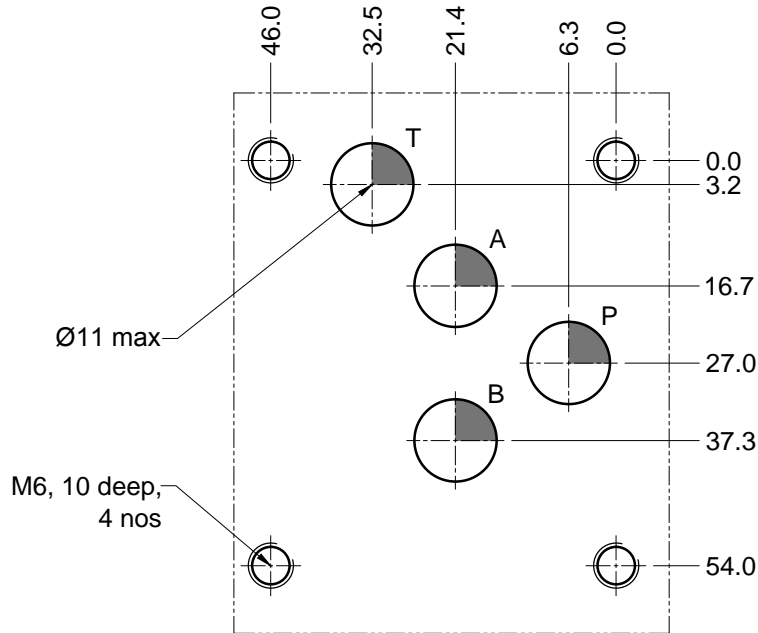


The right connection
The right environment

Multi station bar manifold for mounting
four port valves having interface conforming to
ISO 4401-05-04
BM-CETOP-05-XX-2.0

Ref. No. H14742
Release: Jan 2021
ENGINEERING - 2 of 2

Interface details



Ordering Code

