



The right connection
The right environment

Pressure Gauge Isolator Valve (PUSH TO READ)

GI

Ref. No. H03542
Release: Aug 2020

ENGINEERING - 1 of 3

Description

The Pressure gauge Isolator valve, model **GI** is meant for checking the system pressure to which it is connected, whenever required.

The valve is a spool type, spring off-set, manually operated device.

In normal condition, the valve blocks the pressure port and keeps the pressure gauge connected to the drain. Thus isolating the gauge from system pressure surges and eliminating continuous pressure strain on the gauge.

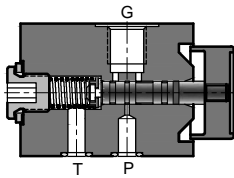
By pushing the actuator knob of the valve, system pressure can be read on the gauge.

The valve is available either for Sub-plate mounting on a sub-plate or back face mounting or with threaded ports.

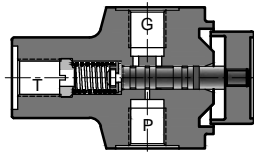
The pressure gauge can either be directly mounted on the valve or can be connected remotely.



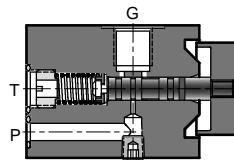
Section



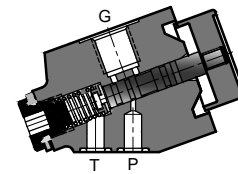
Sub-plate Mounting
Model: **GIM**



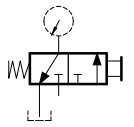
Panel mounting
Model: **GIP**



Back face Mounting
Model: **GIB**



Sub-plate Mounting
Model: **GIMH**

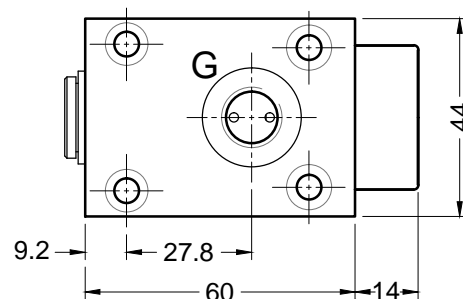
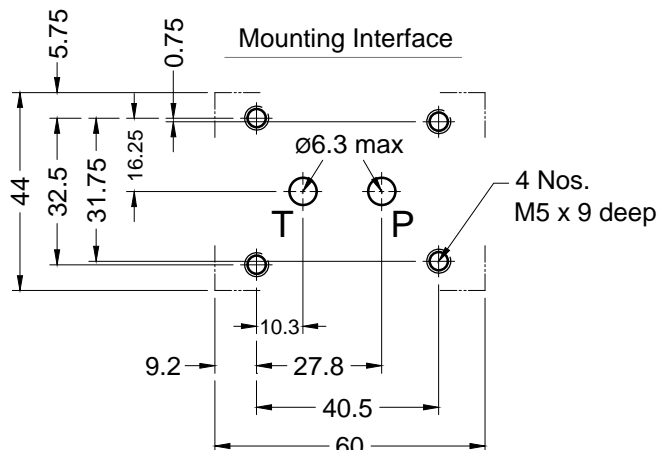
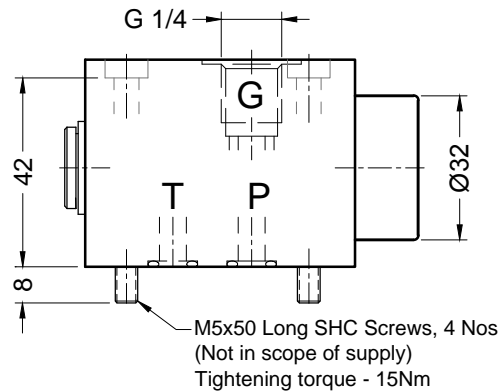
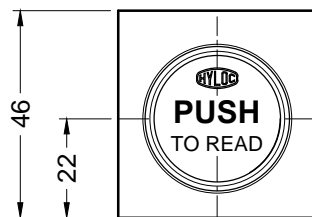
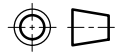


Hydraulic Symbol

Unit Dimensions

Gauge Isolator Valve, Sub-plate Mounting, Model: **GIM**

Dimensions in mm.





The right connection
The right environment

Pressure Gauge Isolator Valve (PUSH TO READ)

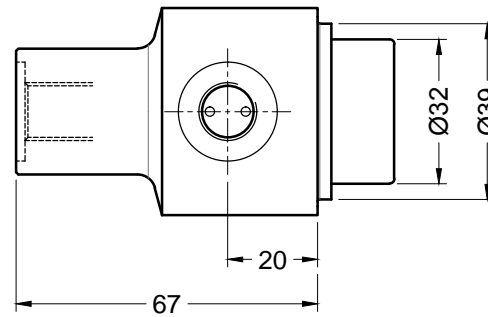
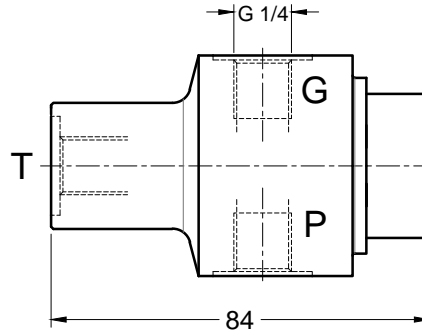
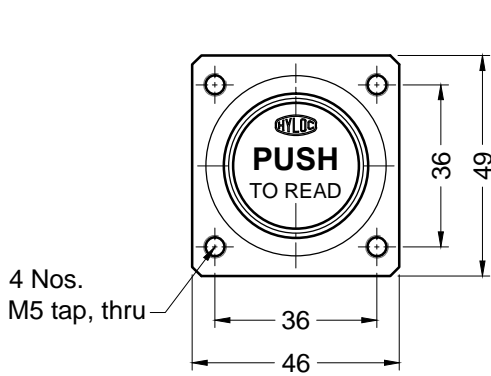
GI

Ref. No. H03542
Release: Aug 2020

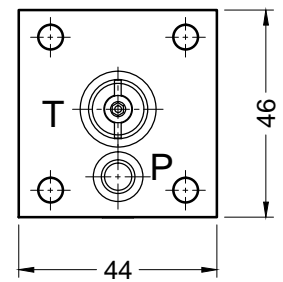
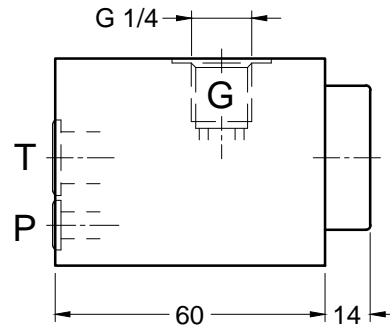
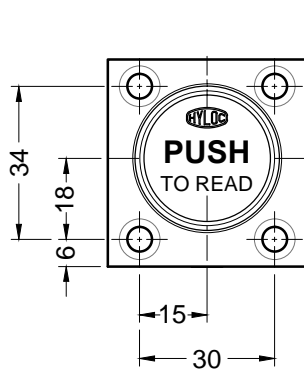
ENGINEERING - 2 of 3

Unit Dimensions

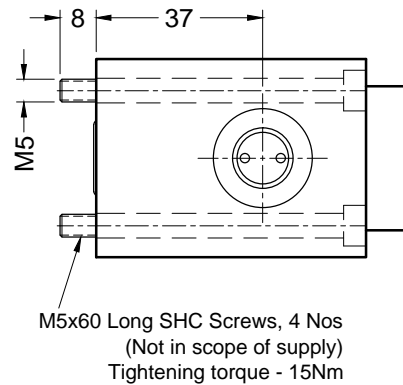
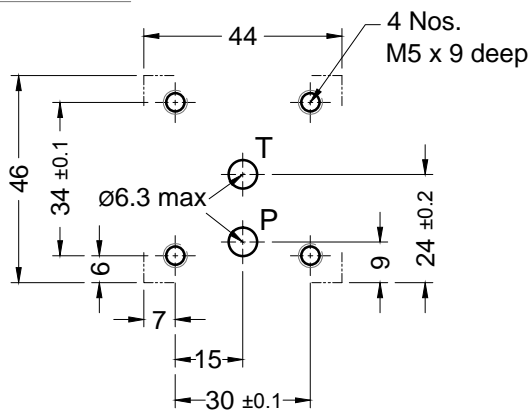
Gauge Isolator Valve, panel mounting, Model: **GIP**



Gauge Isolator Valve, Back face mounting, Model: **GIB**



Mounting Interface





The right connection
The right environment

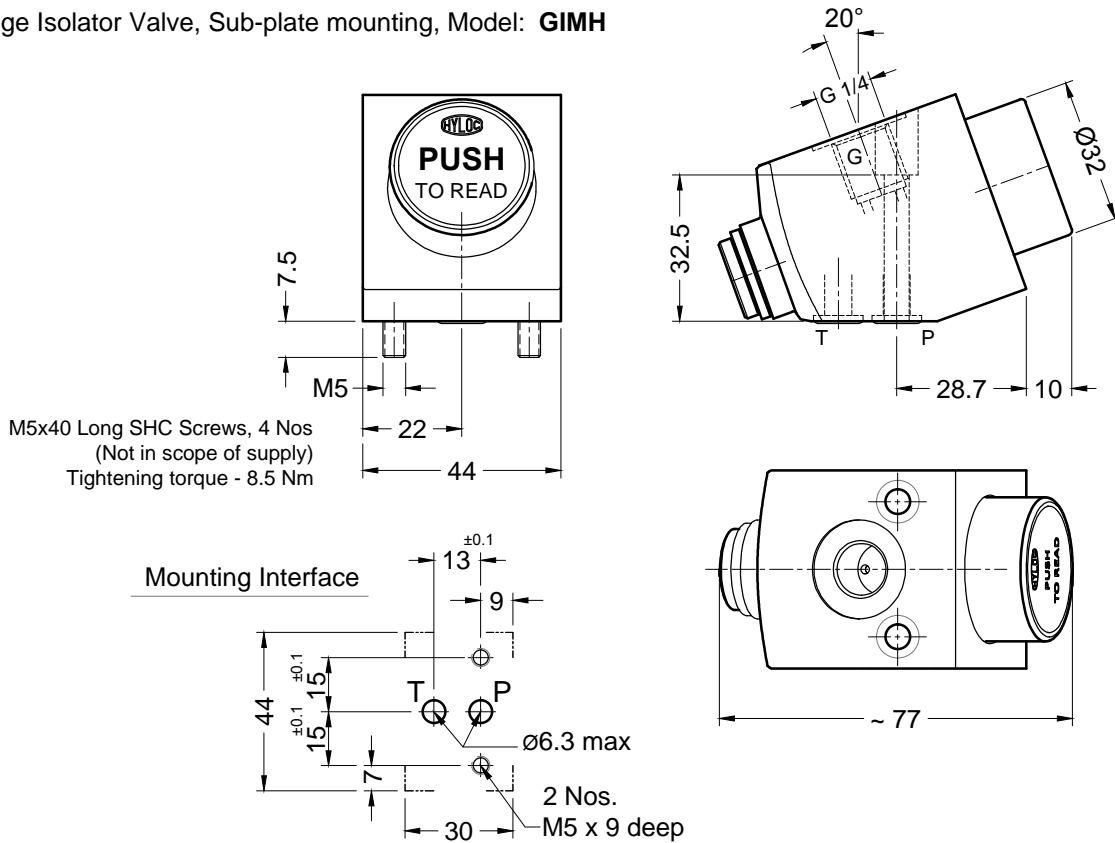
Pressure Gauge Isolator Valve (PUSH TO READ)

GI

Ref. No. H03542
Release: Aug 2020

ENGINEERING - 3 of 3

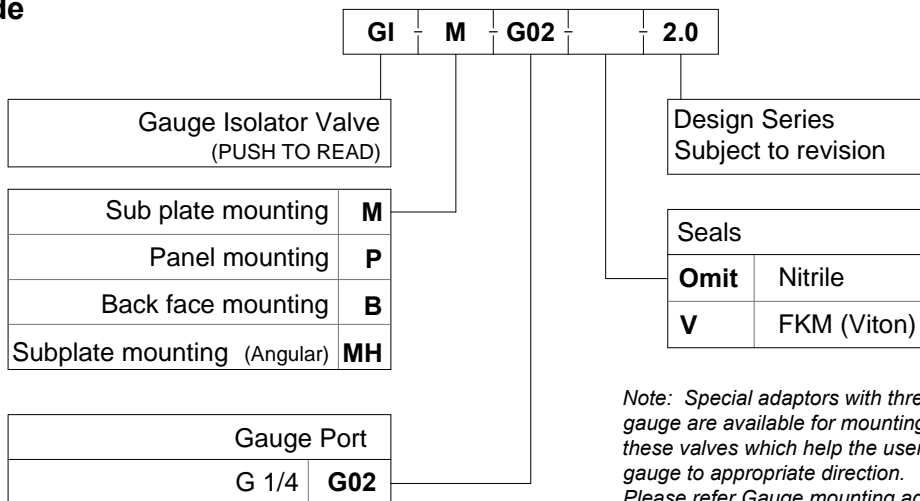
Gauge Isolator Valve, Sub-plate mounting, Model: **GIMH**



Technical Specifications

Construction	Spool type, manually operated, spring off-set.
Mounting	Sub-plate mounting / Panel mounting
Mounting position	Optional
Flow direction	As indicated by hydraulic symbol.
Operating pressure	210 bar.
Hydraulic medium	Mineral oil.
Fluid temperature range	-10 °C to +80 °C.
Fluid cleanliness requirement	As per ISO 4406 20/18/15

Ordering Code



Note: Special adaptors with threads suitable for the gauge are available for mounting the Pressure Gauge on these valves which help the user to orient the face of the gauge to appropriate direction. Please refer Gauge mounting adaptors, 1GAGE series.

All rights reserved.

Subject to change without notice.

Due to continuous improvement in the design of the product, the actual product supplied may look different than shown above.