



The right connection  
The right environment

# Adjustable Throttle and Throttle Check Valves TT / TCT

Ref. No. H03364  
Release: Aug 2020  
ENGINEERING - 1 of 2

## Description

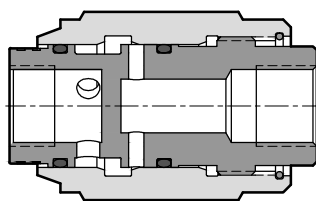
Non pressure and viscosity compensated valves.

Model TT Throttle valves allow adjustable throttled flow in both the directions.

Model TCT throttle check valves gives adjustable flow in one direction and allows free flow in opposite direction.

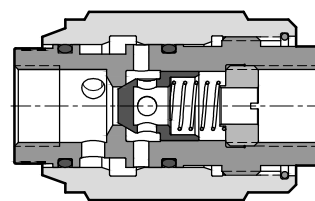


## Section



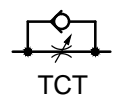
Model : TT

Hydraulic Symbol



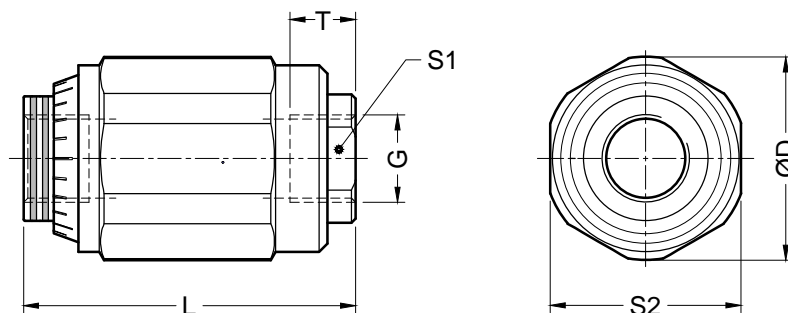
Model : TCT

Hydraulic Symbol



## Unit Dimensions

Dimensions in mm.



Part code		G	T	S1	S2	L	ØD	TCT Mass (Kg)	TT Mass (Kg)
<b>TCTG02-2.0</b>	<b>TTG02-2.0</b>	G 1/4	12	19	32	65	34	0.30	0.29
<b>TCTG03-3.0</b>	<b>TTG03-3.0</b>	G 3/8	13	22	36	65	38	0.35	0.33
<b>TCTG04-2.0</b>	<b>TTG04-2.0</b>	G 1/2	14	27	46	80	49	0.72	0.69
<b>TCTG06-2.0</b>	<b>TTG06-2.0</b>	G 3/4	18	32	55	100	58	1.25	1.20
<b>TCTG08-2.0</b>	<b>TTG08-2.0</b>	G 1	18	41	70	110	74	2.30	2.10
<b>TCTG10-2.0</b>	<b>TTG10-2.0</b>	G 1.1/4	22	50	85	130	87	3.80	3.60
<b>TCTG12-2.0</b>	<b>TTG12-2.0</b>	G 1.1/2	22	60	90	150	94	5.00	4.60



The right connection  
The right environment

# Adjustable Throttle and Throttle Check Valves TT / TCT

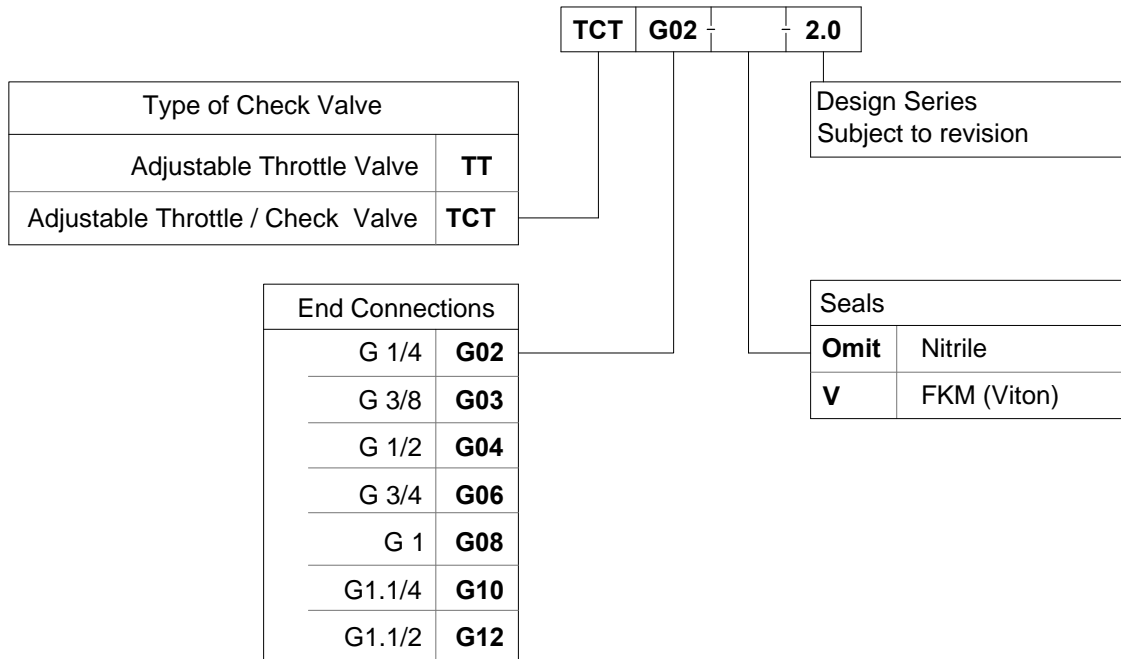
Ref. No. H03364  
Release: Aug 2020

ENGINEERING - 2 of 2

## Technical Specifications

Construction	Inline threaded body with rotating sleeve for flow adjustment. Non pressure and viscosity compensated.
Mounting style	Inline, threaded body
Mounting position	Optional
Flow direction	For model TCT : Free flow in one direction. Adjustable throttled flow in opposite direction as indicated on the valve body. For model TT : Adjustable throttled flow in both the directions
Operating pressure	315 bar.
Hydraulic medium	Mineral oil.
Viscosity range	10 cSt to 380 cSt.
Fluid cleanliness requirement	As per ISO 4406 20/18/15
Fluid temperature range	-20 °C to +70 °C
Maximum flow handling capacity	TCTG02/TTG02 ----- 25 l/min TCTG03/TTG03 ----- 40 /min TCTG04/TTG04 ----- 60 l/min TCTG06/TTG06 ----- 120 l/min TCTG08/TTG08 ----- 200 l/min TCTG10/TTG10 ----- 320 l/min TCTG12/TTG12 ----- 400 l/min

## Ordering Code



Note : Add prefix 316 to the above part code for SS 316 valves.  
e.g. **316-TCTG02-2.0**

All rights reserved.  
Subject to change without notice.  
Due to continuous improvement in the design of the product, the actual product supplied may look different than shown above.